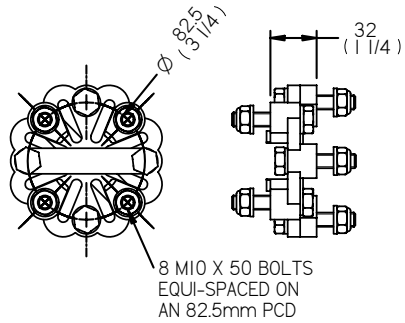
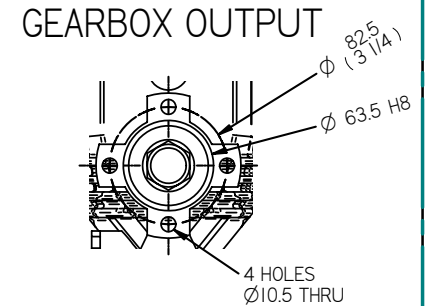
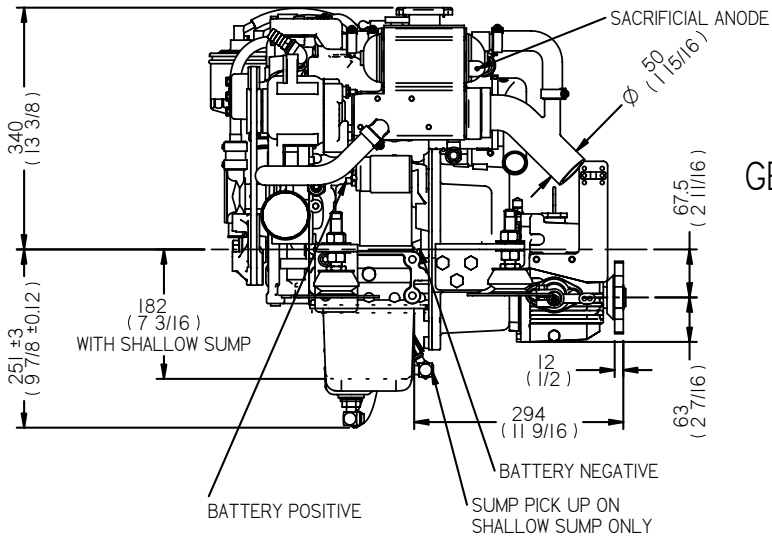
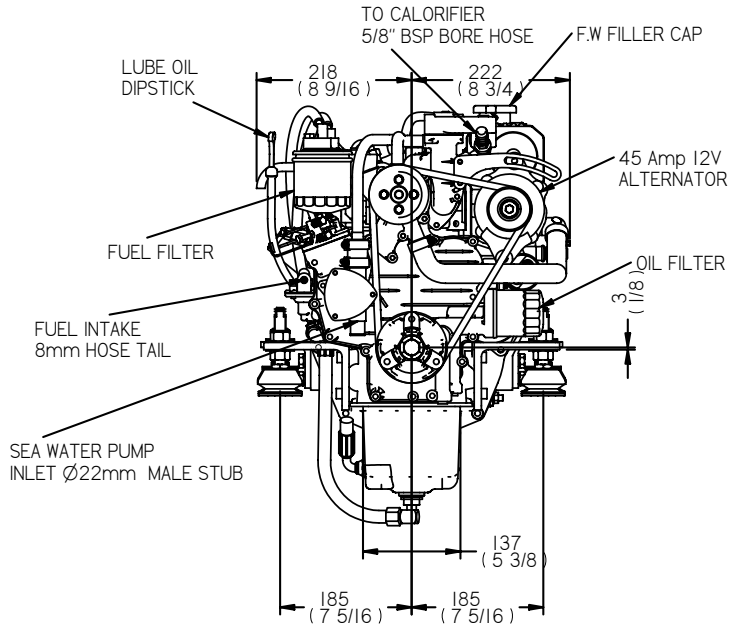
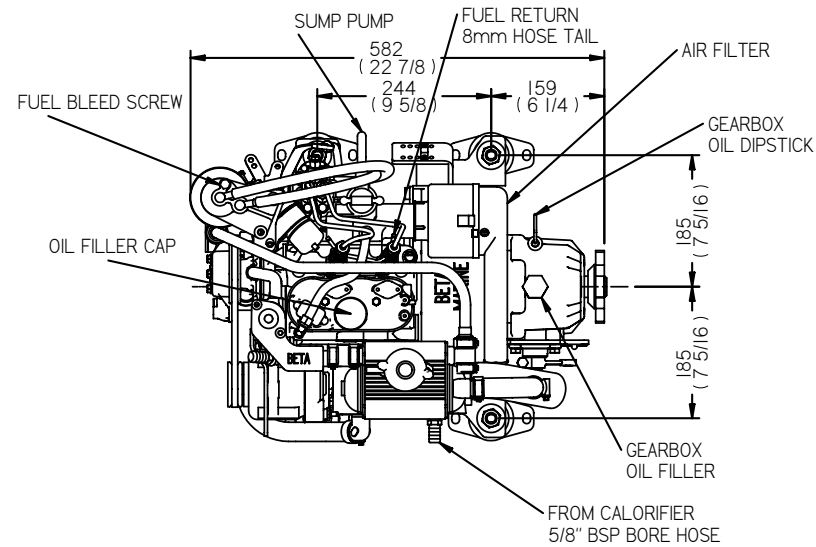
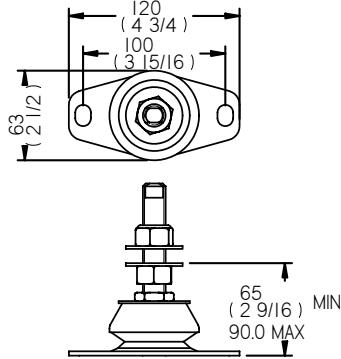


FLEXIBLE COUPLING DETAILS



FLEXIBLE MOUNT DETAILS



REV	DESCRIPTION	DATE	APP'D	DRAWN	NOTES
01	NEW TITLE BLOCK	15-01-04	LT	TW	
02	BATTERY CONNECTIONS AND WASTING ANODE	11-10-04	LT	TW	
03	FUEL FILTER, HVE TANK AND AIR FILTER	25-07-05	LT	TW	
04	CALORIFIERS AND TIER2 CLOSED BREATHER	20/12/05		TW	

DIMENSIONS IN MM (INCH)
 DO NOT SCALE

BETA MARINE LTD.
 MERRETT'S MILLS,
 BATH ROAD,
 SOUTH WOODCHESTER,
 STROUD, GLOS. GL5 5EU

DRAWN BY: timw
 CHECKED BY:

TITLE
**BZ482 HEAT EXCHANGE
 TMC40 GEARBOX**

SCALE NTS
 PAGE 1 of 1
 DATE 15/01/2007

SIZE A4
 DWG NO. 100-06019
 REV 04