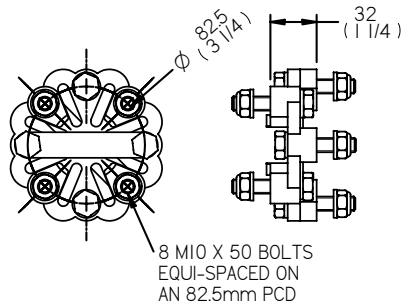
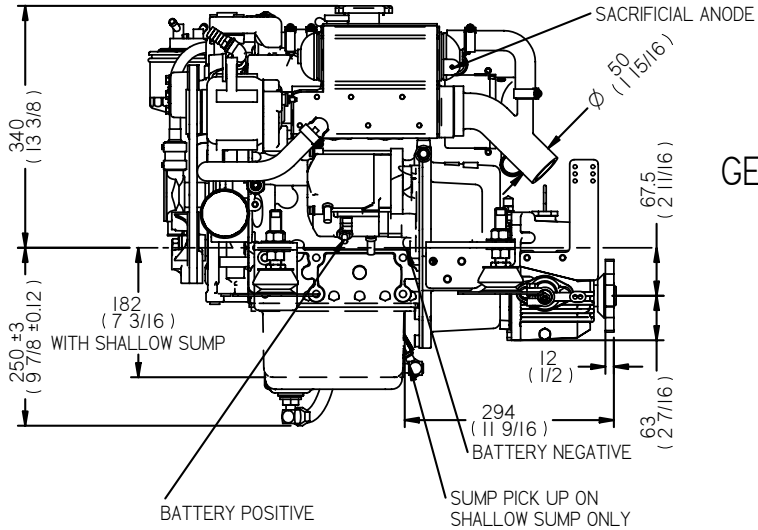
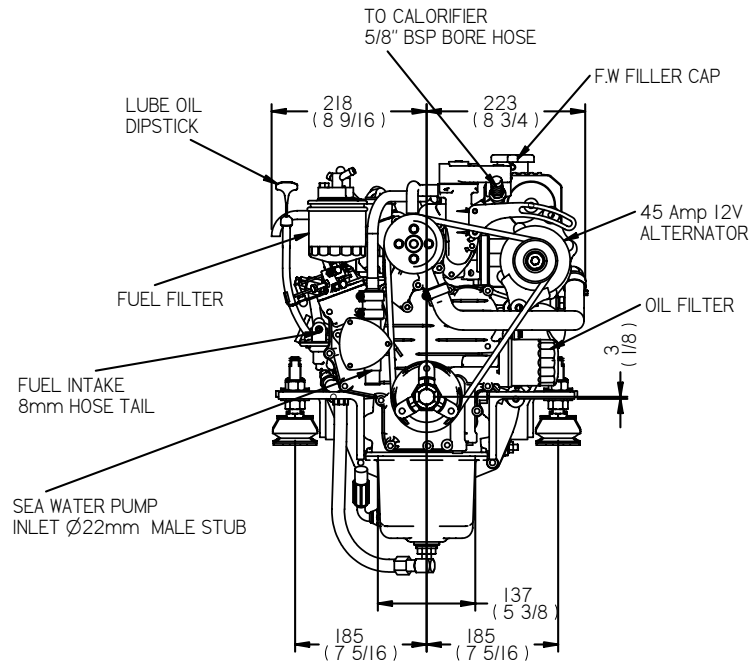
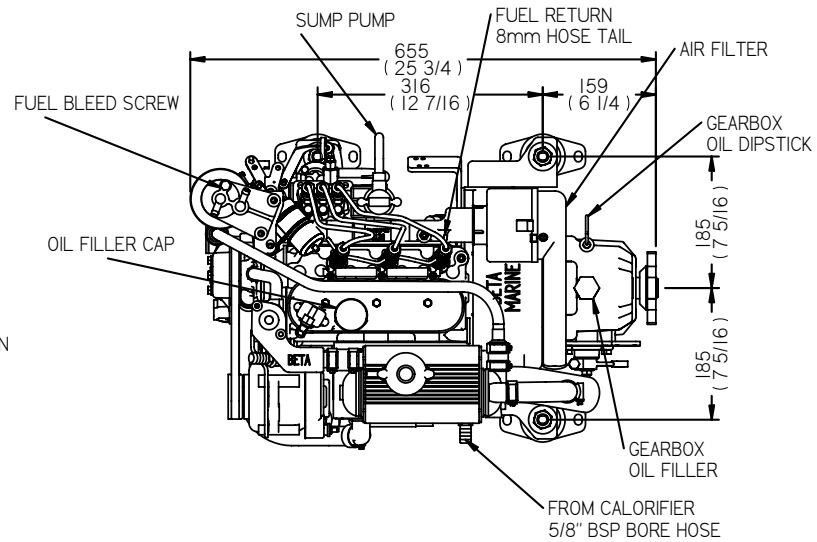
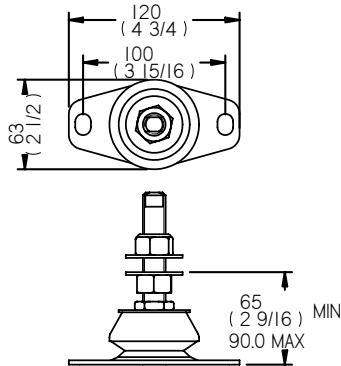


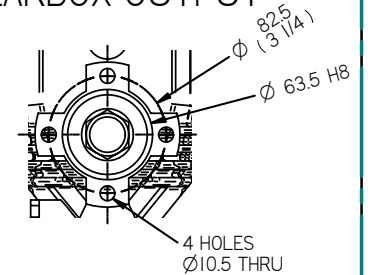
FLEXIBLE COUPLING DETAILS



FLEXIBLE MOUNT DETAILS



GEARBOX OUTPUT



| REV | DESCRIPTION                           | DATE     | APP'D | DRAWN | NOTES |
|-----|---------------------------------------|----------|-------|-------|-------|
| 01  | NEW TITLE BLOCK                       | 18-05-04 | LT    | TW    |       |
| 02  | FUEL FILTER, HVE TANK AND AIR FILTER  | 25-07-05 | LT    | TW    |       |
| 03  | CALORIFIERS AND TIER2 CLOSED BREATHER | 20/12/05 |       | TW    |       |
|     |                                       |          |       |       |       |
|     |                                       |          |       |       |       |
|     |                                       |          |       |       |       |
|     |                                       |          |       |       |       |
|     |                                       |          |       |       |       |

DIMENSIONS IN MM (INCH)  
 DO NOT SCALE

BETA MARINE LTD.  
 MERRETT'S MILLS,  
 BATH ROAD,  
 SOUTH WOODCHESTER,  
 STROUD, GLOS. GL5 5EU

DRAWN BY: TW  
 CHECKED BY:

TITLE  
**BD722 HEAT EXCHANGE  
 TMC40 GEARBOX**

SCALE:      PAGE: 1 of 1      DATE: 11/08/2006

SIZE: A4      DWG NO: 100-99610      REV: 03